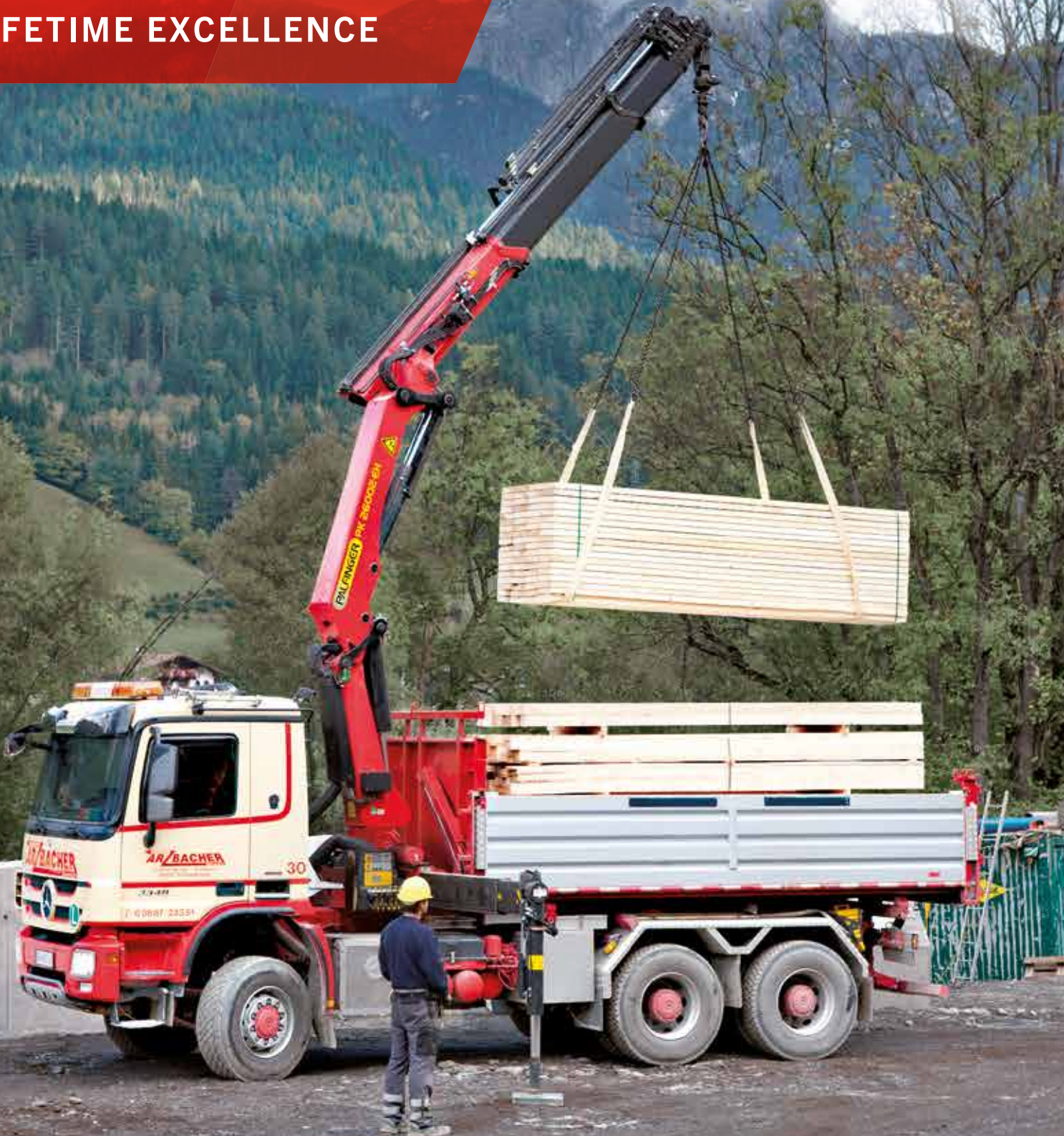


PK 23502 | 26002 EH

THE E-HPLS AND THE ENORMOUS REACH OPENS UP A WIDE RANGE OF APPLICATIONS

LIFETIME EXCELLENCE



LIFETIME EXCELLENCE

PALFINGER loader cranes are convincing due to their superior life-cycle performance. They are the most economical and also the most reliable over the entire product life. From solution finding to resale.

- **Better solutions**
- **Better efficiency**
- **Better ergonomics**
- **Higher availability**
- **More reliability**
- **Better ecology**
- **Higher serviceability**
- **Higher value retention**



PERFECT IN COMFORT AND SAFETY

- More efficiency with fly jib due to DPS Plus
- Perfect appearance and extremely high value retention thanks to coating technology
- Additional applications with Power Link Plus
- Increased operating times due to low-maintenance extension system
- High operator friendliness thanks to optional radio remote control





FIRST-RATE IN DESIGN AND PERFORMANCE

12 Highlights



Power Link Plus

High variety of uses

With the 15-degree reverse linkage system, you can reach through low door openings and also work inside buildings. Heavy crane work – even in difficult conditions.



Low-maintenance extension system

Reduces service time

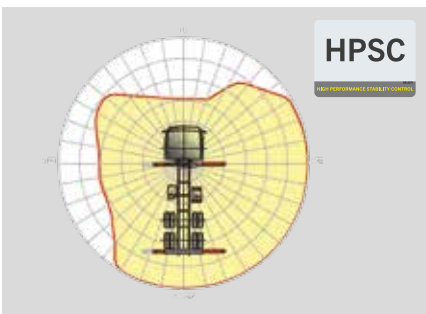
With sliding elements made of synthetic material and the high-quality KTL coating, this boom system significantly simplifies service performed by the operator. This saves time and money – and protects the environment.



High Speed Extension

For efficient assignments

The High Speed Extension speeds up the extension boom system. Crane works faster and more efficiently.



HPSC

Maximum utilisation of the working range

The variable stabiliser positioning of the High Performance Stability Control System makes it possible to utilise the lifting capacity to the maximum. It enables working within tight spaces.



PAL 50

Comfort and safety

The PALTRONIC 50, PALFINGER offers the latest control electronics for the series production crane. The custom designed electronic operates and monitors the crane and offers more efficiency in use and safety.



Control console

All information at a glance

All important information about the crane can be seen on the main control stand. A digital indicator counts and displays the operating hours. Ergonomic control levers and the optional lighting package provide increased safety and comfort even in poor visibility conditions.



Coating technology

Top quality surface protection at a glance

The KTL coating lays the foundation for a perfect surface protection. Afterwards the components are either coated in the powder-coating facility or are finished with a two-components-topcoat. High value retention and excellent corrosion protection for the whole life of a crane.



Functional design

Practical and attractive

Robust plastic covers protect crane parts against dirt and damage. Better appearance and increased operational comfort – during the entire lifetime.



Radio remote control

Dialogue with the operator

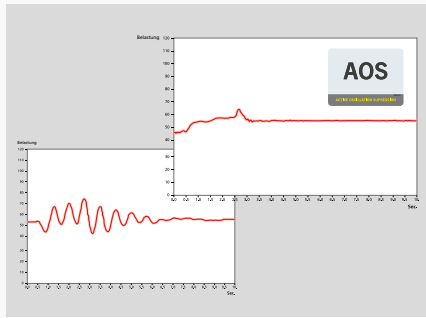
PALFINGER radio remote controls are equipped with linear lever or cross lever and provide the greatest possible comfort for the operator. All EH models with LED-Display inform the crane operator about the different operating conditions.



Hose equipment for attachments

Versatile and user-friendly

The hose equipment offers an easy means of connecting auxiliary equipment. The hose equipment is guided in hose trays for protection.



AOS

Maximum precision and safety

The active oscillation suppression system prevents „post-oscillation“ in the event of rapid braking or load changes. The stress peaks on the extension boom system are reduced and material fatigue and wear are minimised. This increases the resale value.



DPS Plus

More efficient fly-jib operation

The Dual Power System allows multiple uses of the crane both for large outreaches as well as for heavy load operation.

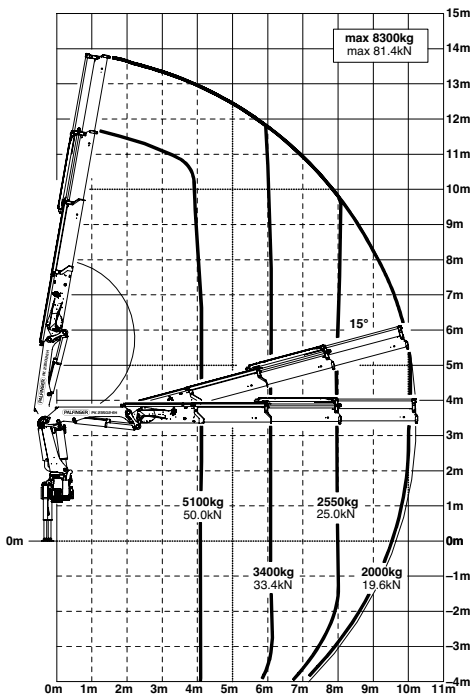


PK 23502

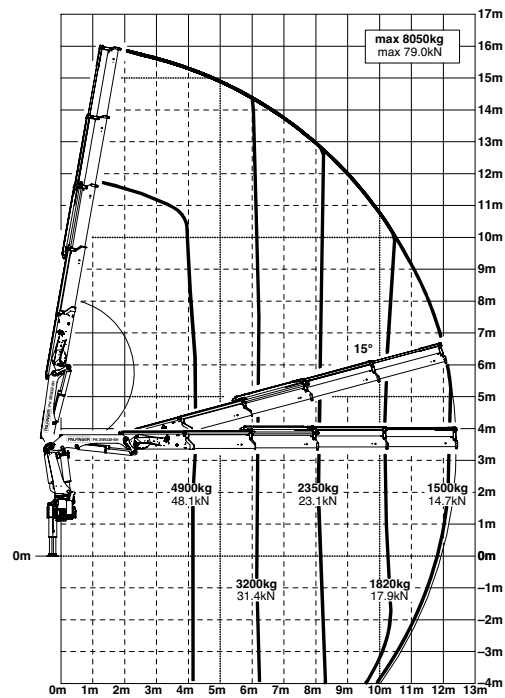
HIGH PERFORMANCE

Customized for optimized mounting.

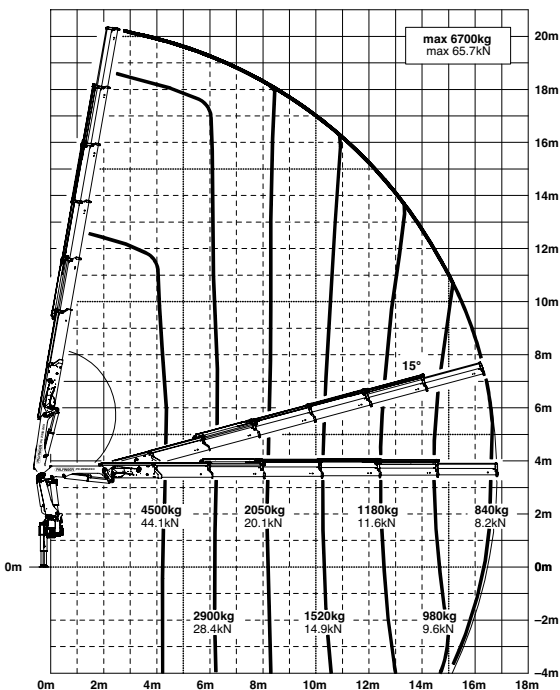
B



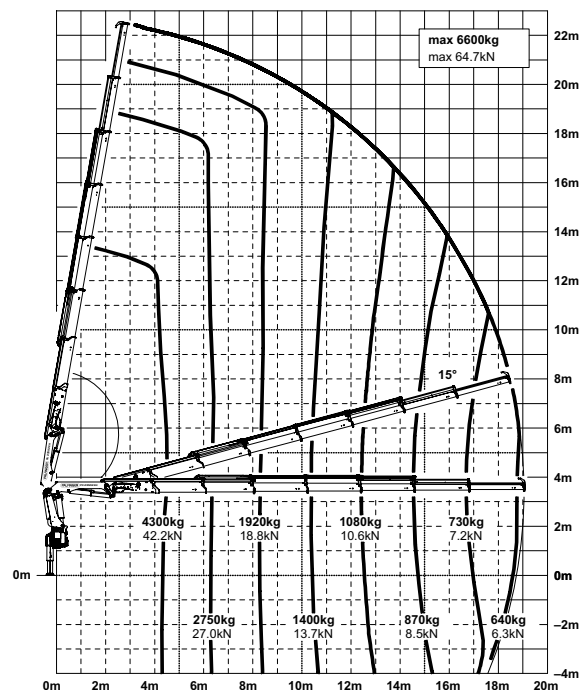
C



E



F



The outreaches stated are with a boom angle of 20° and are therefore not the maximum.

Lifting capacities

max.		8500 kg	83,4 kN	A
4.1 m	13' 5"	5300 kg	11700 lbs	
6.0 m	19' 8"	3600 kg	7900 lbs	
7.9 m	25' 11"	2750 kg	6000 lbs	

max.		8300 kg	81,4 kN	B
4.2 m	13' 9"	5100 kg	11200 lbs	
6.1 m	20' 0"	3400 kg	7500 lbs	
8.0 m	26' 3"	2550 kg	5600 lbs	
10.1 m	33' 2"	2000 kg	4400 lbs	

max.		8050 kg	79,0 kN	C
4.2 m	13' 9"	4900 kg	10800 lbs	
6.1 m	20' 0"	3200 kg	7100 lbs	
8.0 m	26' 3"	2350 kg	5200 lbs	
10.1 m	33' 2"	1820 kg	4050 lbs	
12.2 m	40' 0"	1500 kg	3300 lbs	
14.4 m*	47' 3"	1200 kg	2650 lbs	
16.6 m*	54' 6"	960 kg	2120 lbs	

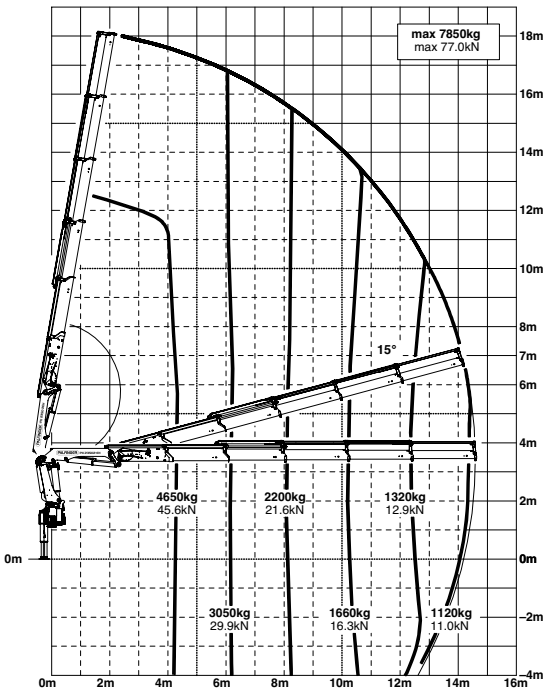
max.		7850 kg	77,0 kN	D
4.3 m	14' 1"	4650 kg	10300 lbs	
6.2 m	20' 4"	3050 kg	6700 lbs	
8.1 m	26' 7"	2200 kg	4850 lbs	
10.2 m	33' 6"	1660 kg	3650 lbs	
12.3 m	40' 4"	1320 kg	2950 lbs	
14.4 m	47' 3"	1120 kg	2450 lbs	
16.7 m*	54' 9"	890 kg	1960 lbs	
18.8 m*	61' 8"	730 kg	1600 lbs	

max.		6700 kg	65,7 kN	E
4.4 m	14' 5"	4500 kg	9900 lbs	
6.3 m	20' 8"	2900 kg	6400 lbs	
8.2 m	26' 11"	2050 kg	4500 lbs	
10.3 m	33' 10"	1520 kg	3350 lbs	
12.4 m	40' 8"	1180 kg	2600 lbs	
14.5 m	47' 7"	980 kg	2150 lbs	
16.7 m	54' 9"	840 kg	1860 lbs	
18.8 m*	61' 8"	680 kg	1500 lbs	
21.0 m*	68' 11"	570 kg	1260 lbs	

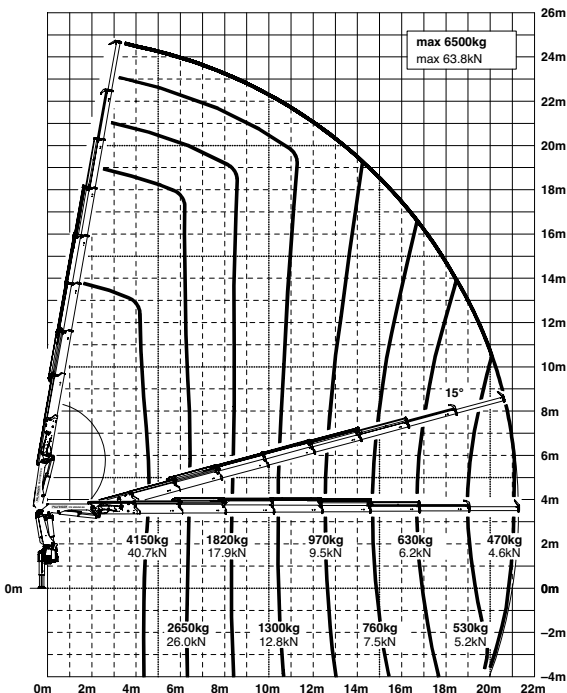
max.		6600 kg	64,7 kN	F
4.5 m	14' 9"	4300 kg	9500 lbs	
6.4 m	20' 12"	2750 kg	6100 lbs	
8.3 m	27' 3"	1920 kg	4250 lbs	
10.4 m	34' 1"	1400 kg	3100 lbs	
12.5 m	41' 0"	1080 kg	2400 lbs	
14.6 m	47' 11"	870 kg	1920 lbs	
16.7 m	54' 9"	730 kg	1620 lbs	
18.9 m	62' 0"	640 kg	1400 lbs	
21.1 m*	69' 3"	530 kg	1170 lbs	
23.1 m*	75' 9"	450 kg	990 lbs	

max.		6500 kg	63,8 kN	G
4.6 m	15' 1"	4150 kg	9200 lbs	
6.5 m	21' 4"	2650 kg	5800 lbs	
8.4 m	27' 7"	1820 kg	4000 lbs	
10.5 m	34' 5"	1300 kg	2850 lbs	
12.6 m	41' 4"	970 kg	2150 lbs	
14.7 m	48' 3"	760 kg	1680 lbs	
16.8 m	55' 1"	630 kg	1380 lbs	
19.0 m	62' 4"	530 kg	1180 lbs	
21.1 m	69' 3"	470 kg	1040 lbs	
23.1 m*	75' 9"	400 kg	880 lbs	

D



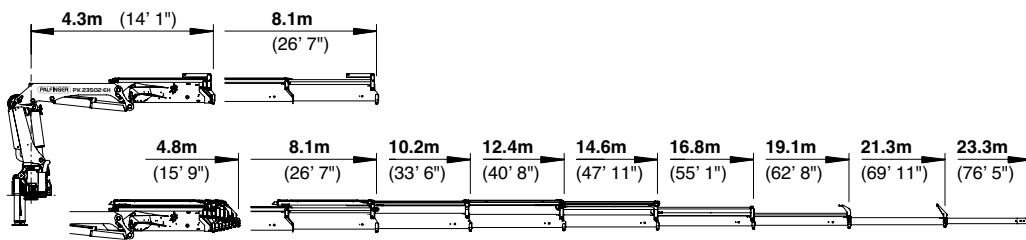
G



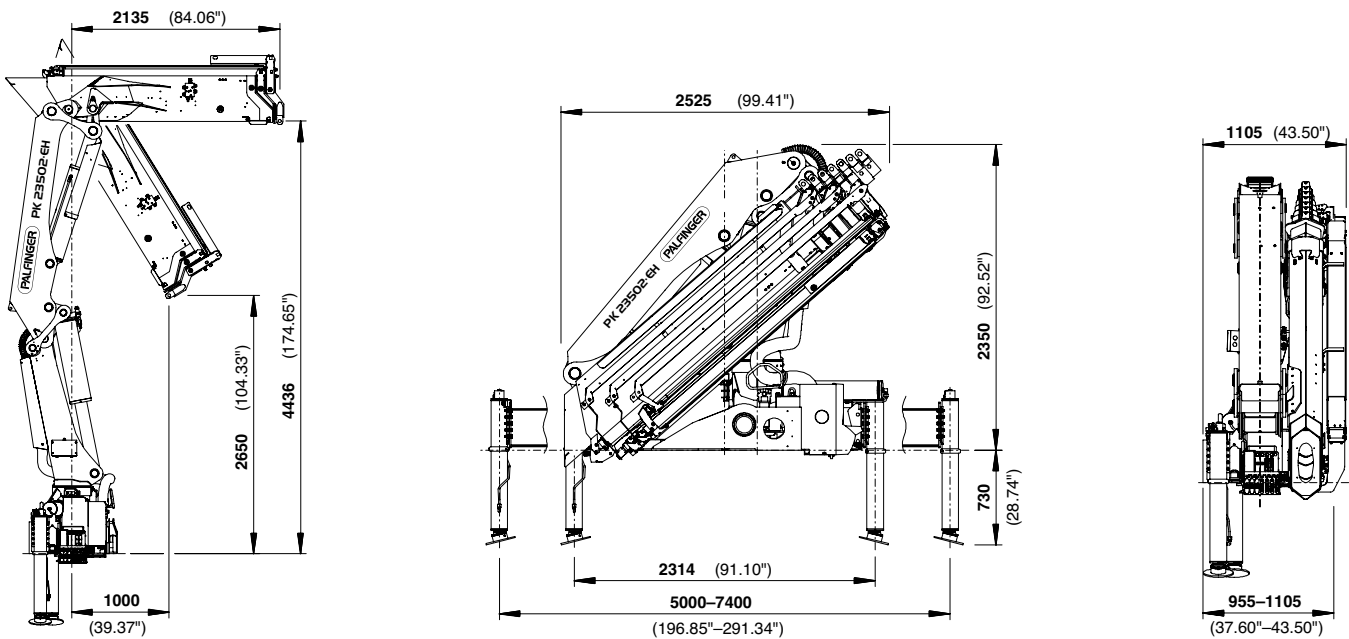
*mechanical extension

PERFECT DIMENSIONS

EXTENSION BOOM VARIATIONS



DIMENSIONS



Technical specifications

EN 12999 HC1 HD4/B3

PK 23502

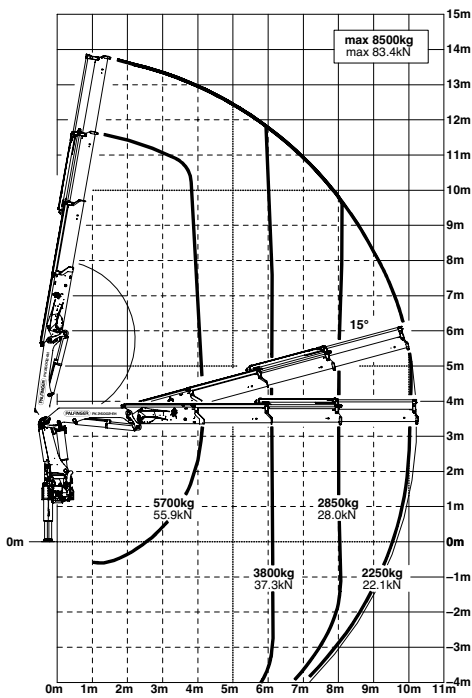
Max. lifting moment	22.4 mt/219.7 kNm	162030 ft.lbs
Max. lifting capacity	8500 kg/83.4 kN	18740 lbs
Max. hydraulic outreach	21.3 m	69' 11"
Max. manual outreach	23.3 m	76' 5"
Slewing angle	400°	
Slewing torque	2.8 mt/27.5 kNm	20260 ft.lbs
Stabiliser spread (std./max.)	5.0 m / 7.4 m	16' 5" / 24' 3"
Fitting space required (std.)	0.96 m	3' 2"
Width folded	2.53 m	8' 3"
Max. operating pressure	320 bar	4640 psi
Recommended pump capacity	from 50 l/min to 70 l/min	13.2 US gal./min 19.8 US gal./min
Dead weight (std.)	2583 kg	5690 lbs

PK 26002 €H

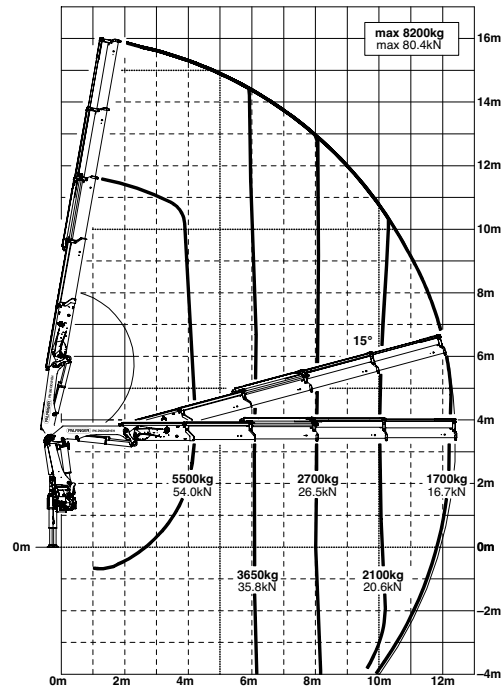
HIGH PERFORMANCE

Equipment for exacting demands.

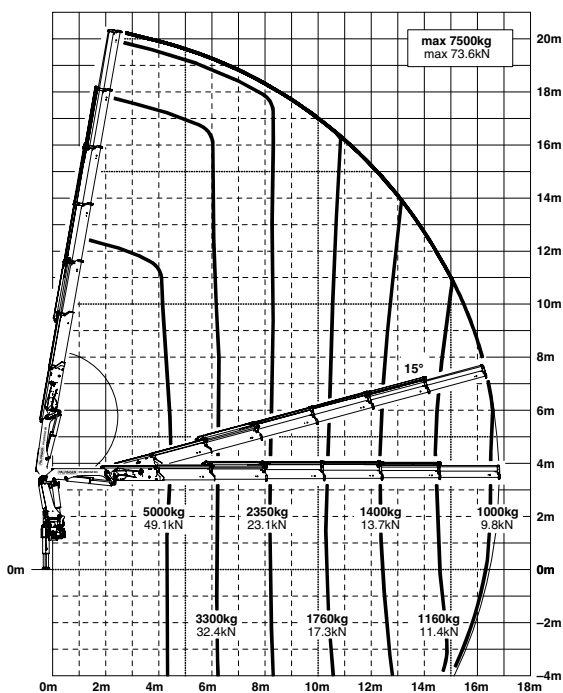
B



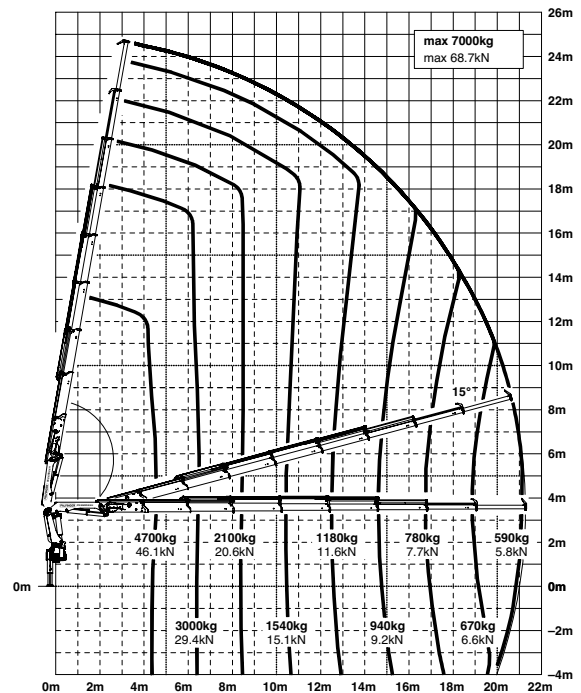
C



E



G



The outreaches stated are with a boom angle of 20° and are therefore not the maximum.

Lifting capacities

max.		8900 kg	87,3 kN	A
4.1 m	13' 5"	5900 kg	13100 lbs	
6.0 m	19' 8"	4000 kg	8900 lbs	
7.9 m	25' 11"	3050 kg	6700 lbs	

max.		8500 kg	83,4 kN	B
4.2 m	13' 9"	5700 kg	12500 lbs	
6.1 m	20' 0"	3800 kg	8400 lbs	
8.0 m	26' 3"	2850 kg	6300 lbs	
10.1 m	33' 2"	2250 kg	5000 lbs	

max.		8200 kg	80,4 kN	C
4.2 m	13' 9"	5500 kg	12000 lbs	
6.1 m	20' 0"	3650 kg	8000 lbs	
8.0 m	26' 3"	2700 kg	5900 lbs	
10.1 m	33' 2"	2100 kg	4550 lbs	
12.2 m	40' 0"	1700 kg	3750 lbs	
14.4 m*	47' 3"	1380 kg	3020 lbs	
16.6 m*	54' 6"	1120 kg	2450 lbs	

max.		7850 kg	77,0 kN	D
4.3 m	14' 1"	5200 kg	11500 lbs	
6.2 m	20' 4"	3450 kg	7600 lbs	
8.1 m	26' 7"	2500 kg	5500 lbs	
10.2 m	33' 6"	1900 kg	4200 lbs	
12.3 m	40' 4"	1540 kg	3400 lbs	
14.4 m	47' 3"	1300 kg	2850 lbs	
16.7 m*	54' 9"	1040 kg	2300 lbs	
18.8 m*	61' 8"	870 kg	1920 lbs	

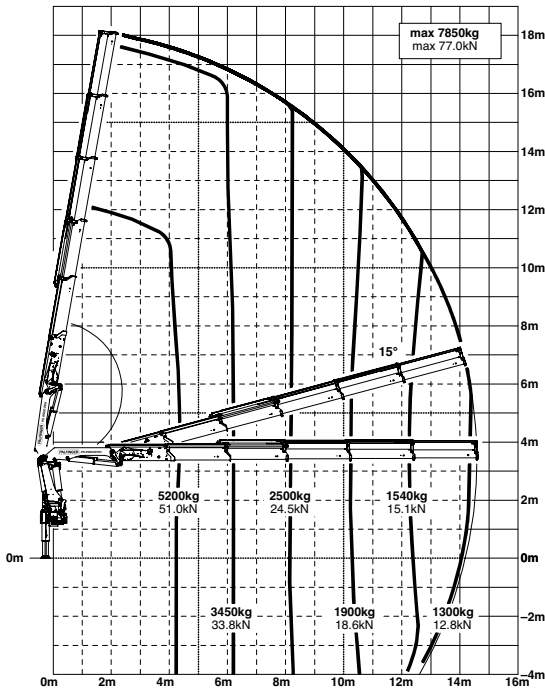
max.		7500 kg	73,6 kN	E
4.4 m	14' 5"	5000 kg	11100 lbs	
6.3 m	20' 8"	3300 kg	7200 lbs	
8.2 m	26' 11"	2350 kg	5200 lbs	
10.3 m	33' 10"	1760 kg	2900 lbs	
12.4 m	40' 8"	1400 kg	3050 lbs	
14.5 m	47' 7"	1160 kg	2550 lbs	
16.7 m	54' 9"	1000 kg	2200 lbs	
18.8 m*	61' 8"	820 kg	1810 lbs	
21.0 m*	68' 11"	690 kg	1520 lbs	

max.		7300 kg	71,6 kN	F
4.5 m	14' 9"	4850 kg	10700 lbs	
6.4 m	20' 12"	3150 kg	6900 lbs	
8.3 m	27' 3"	2250 kg	4900 lbs	
10.4 m	34' 1"	1640 kg	3650 lbs	
12.5 m	41' 0"	1280 kg	2800 lbs	
14.6 m	47' 11"	1040 kg	2300 lbs	
16.7 m	54' 9"	880 kg	1950 lbs	
18.9 m	62' 0"	770 kg	1700 lbs	
21.1 m*	69' 3"	650 kg	1440 lbs	
23.1 m*	75' 9"	560 kg	1240 lbs	

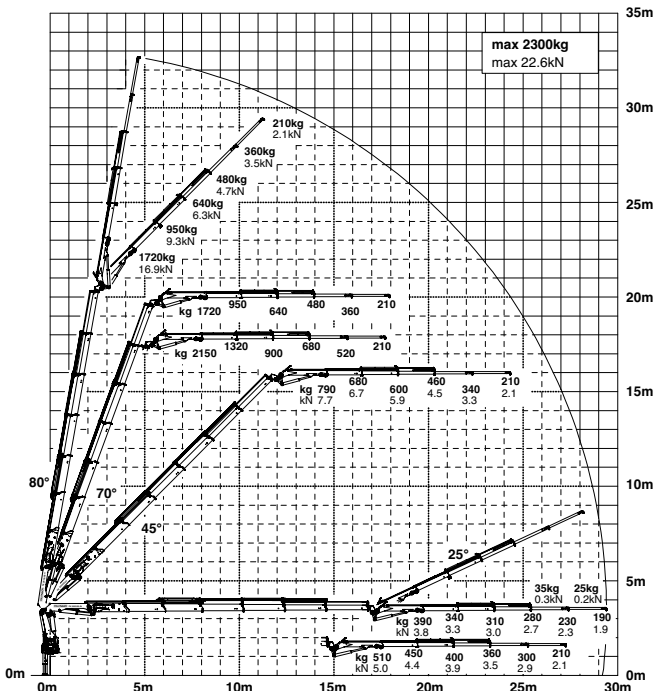
max.		7000 kg	68,7 kN	G
4.6 m	15' 1"	4700 kg	10400 lbs	
6.5 m	21' 4"	3000 kg	6600 lbs	
8.4 m	27' 7"	2100 kg	4650 lbs	
10.5 m	34' 5"	1540 kg	3400 lbs	
12.6 m	41' 4"	1180 kg	2600 lbs	
14.7 m	48' 3"	940 kg	2050 lbs	
16.8 m	55' 1"	780 kg	1720 lbs	
19.0 m	62' 4"	670 kg	1480 lbs	
21.1 m	69' 3"	590 kg	1300 lbs	
23.1 m*	75' 9"	510 kg	1130 lbs	

*mechanical extension

D

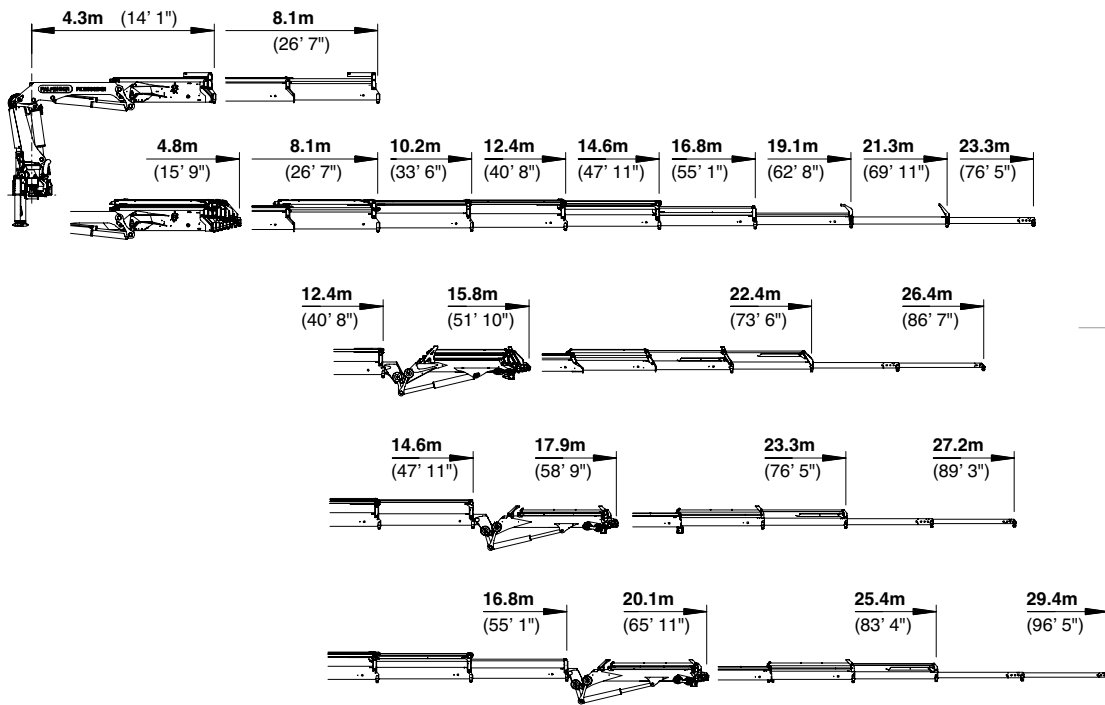


E PJ 060B JV2 DPS PLUS

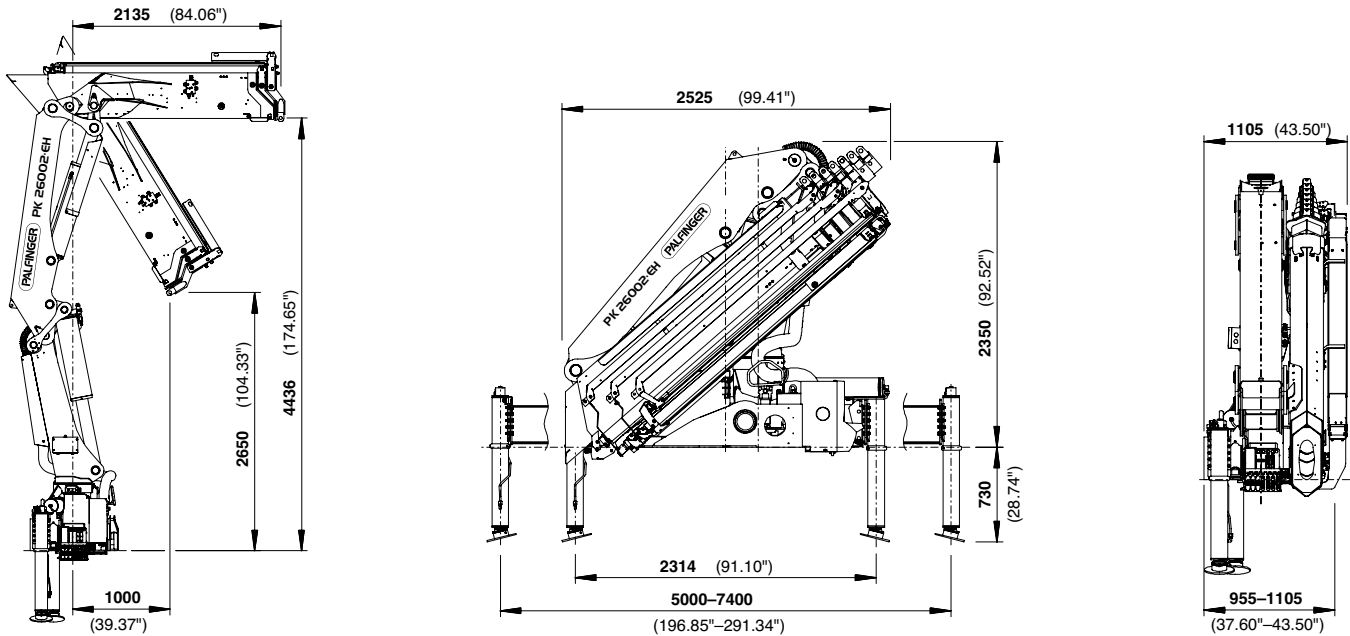


PERFECT DIMENSIONS

EXTENSION BOOM VARIATIONS



DIMENSIONS



Technical specifications

EN 12999 HC1 HD4/B3

PK 26002 EH

Max. lifting moment	24.9 mt/244.0 kNm	179950 ft.lbs
Max. lifting capacity	8900 kg/87.3 kN	19620 lbs
Max. hydraulic outreach	21.3 m	69' 11"
Max. manual outreach	23.3 m	76' 5"
Max. outreach (with fly-jib)	29.4 m	96' 5"

C PJ080C JV2

Slewing angle	400°	
Slewing torque	2.8 mt/27.5 kNm	20260 ft.lbs
Stabiliser spread (std./max.)	5.0 m / 7.4 m	16' 5" / 24' 3"
Fitting space required (std.)	0.96 m	3' 2"
Width folded	2.53 m	8' 3"

D PJ060B JV2

Max. operating pressure	350 bar	5075 psi
Recommended pump capacity	from 75 l/min to 100 l/min	19.8 US gal./min 26.4 US gal./min
Dead weight (std.)	2583 kg	5690 lbs

E PJ060B JV2

Package model

- E-HPLS
- Paltronic 50
- Radio remote control with LED display
- Danfoss control valve or PVG2000
- 8.5 kW oil cooler
- 200 l oil tank



KP-H23/26002EM3+EN

Cranes shown in the leaflet are partially optional equipped and do not always correspond to the standard version. Country-specific regulations must be observed. Dimensions may vary. Subject to technical changes, errors and translation mistakes.