

**PK 44502 | 48002 EH**

# **A PERFECT COMBINATION OF ELECTRONICS AND HYDRAULICS ALLOWS HIGH LIFTING POWER AND MAXIMUM PROFITABILITY**

**LIFETIME EXCELLENCE**



# LIFETIME EXCELLENCE

PALFINGER loader cranes are convincing due to their superior life-cycle performance. They are the most economical and also the most reliable over the entire product life. From solution finding to resale.

- **Better solutions**
- **Better efficiency**
- **Better ergonomics**
- **Higher availability**
- **More reliability**
- **Better ecology**
- **Higher serviceability**
- **Higher value retention**

- Maximum utilisation of the working range thanks to HPSC
- Additional applications with Power Link Plus
- Shorter load cycle times thanks to High Speed Extension
- High value retention due to coating technology
- High operator friendliness thanks to radio remote control



# FIRST-RATE IN DESIGN AND PERFORMANCE

## 12 Highlights



### Power Link Plus

High variety of uses

With the 15-degree reverse linkage system, you can reach through low door openings and also work inside buildings. Heavy crane work – even in difficult conditions.



### Low-maintenance extension system

Reduces service time

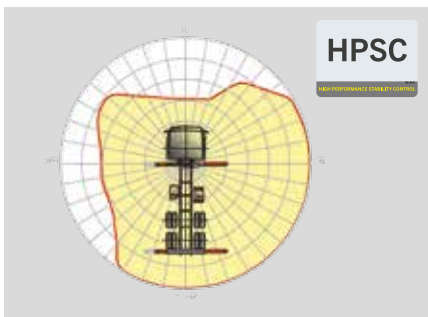
With sliding elements made of synthetic material and the high-quality KTL coating, this boom system significantly simplifies service performed by the operator. This saves time and money – and protects the environment.



### High Speed Extension

For efficient assignments

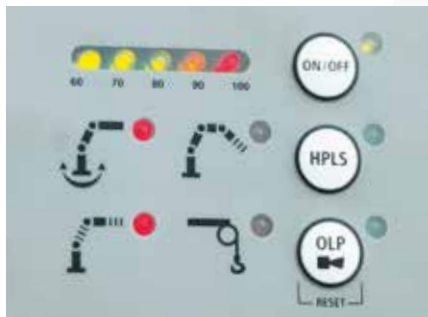
The High Speed Extension speeds up the extension boom system. Crane works faster and more efficiently.



### HPSC

Maximum utilisation of the working range

The variable stabiliser positioning of the High Performance Stability Control System makes it possible to utilise the lifting capacity to the maximum. It enables working within tight spaces.



### PAL 50

Comfort and safety

The PALTRONIC 50, PALFINGER offers the latest control electronics for the series production crane. The custom designed electronic operates and monitors the crane and offers more efficiency in use and safety.



### Control console

All information at a glance

All important information about the crane can be seen on the main control stand. A digital indicator counts and displays the operating hours. Ergonomic control levers and the optional lighting package provide increased safety and comfort even in poor visibility conditions.



### Coating technology

Top quality surface protection at a glance

The KTL coating lays the foundation for a perfect surface protection. Afterwards the components are either coated in the powder-coating facility or are finished with a two-components-topcoat. High value retention and excellent corrosion protection for the whole life of a crane.



### Functional design

Practical and attractive

Robust plastic covers protect crane parts against dirt and damage. Better appearance and increased operational comfort – during the entire lifetime.



### Radio remote control

Dialogue with the operator

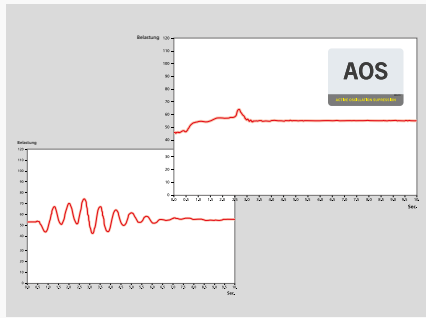
PALFINGER radio remote controls are equipped with linear lever or cross lever and provide the greatest possible comfort for the operator. All EH models with LED-Display inform the crane operator.



### Hose equipment for attachments

Versatile and user-friendly

The hose equipment offers an easy means of connecting auxiliary equipment. The hose equipment is guided in hose trays for protection.



### AOS

Maximum precision and safety

The active oscillation suppression system prevents „post-oscillation“ in the event of rapid braking or load changes. The stress peaks on the extension boom system are reduced and material fatigue and wear are minimised. This increases the resale value.



### Lighting package\*

More crane safety particularly at dusk and dark

LEDs which backlight the control panel make it easier to read off the crane functions and provide the crane operator with a quick overview of the entire panel during the working process. LED warning lights in the supporting cylinders mean greater safety for crane operator and passers-by.



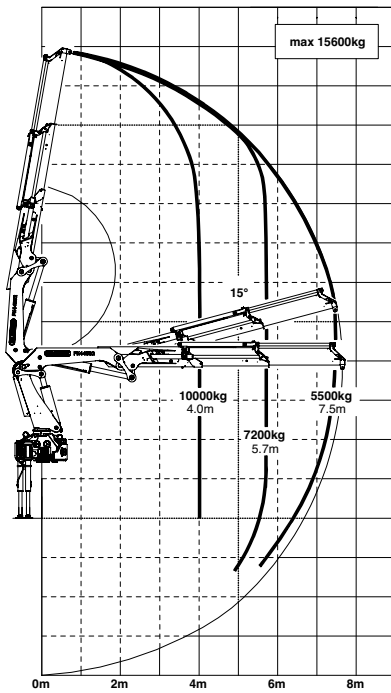
\* Optional features / country-specific equipment

PK 44502

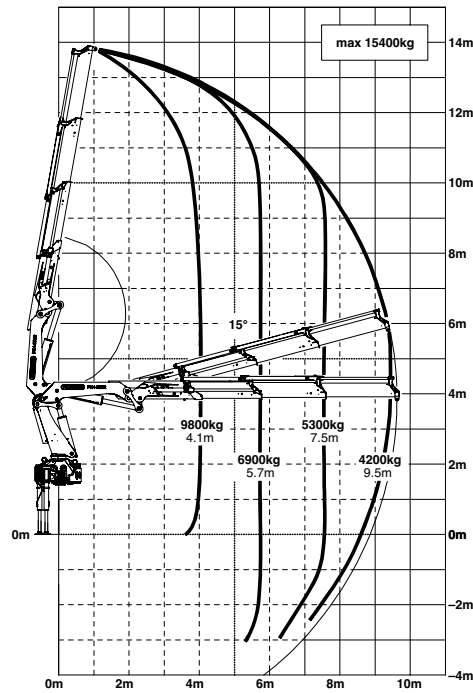
# HIGH PERFORMANCE

Profitable heavy-duty crane technology.

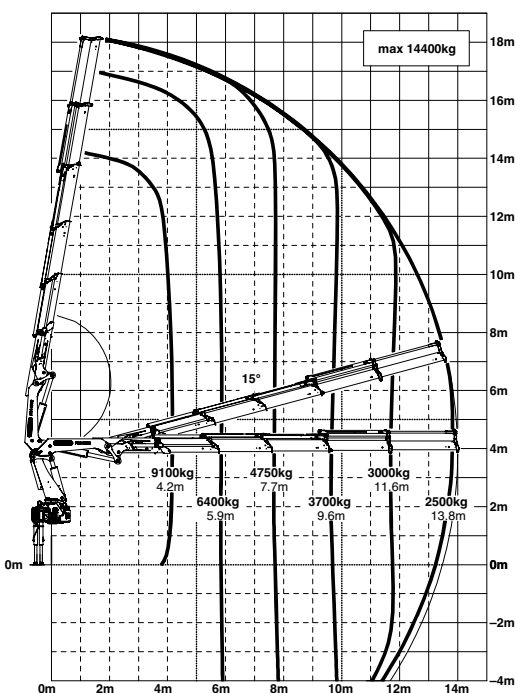
A



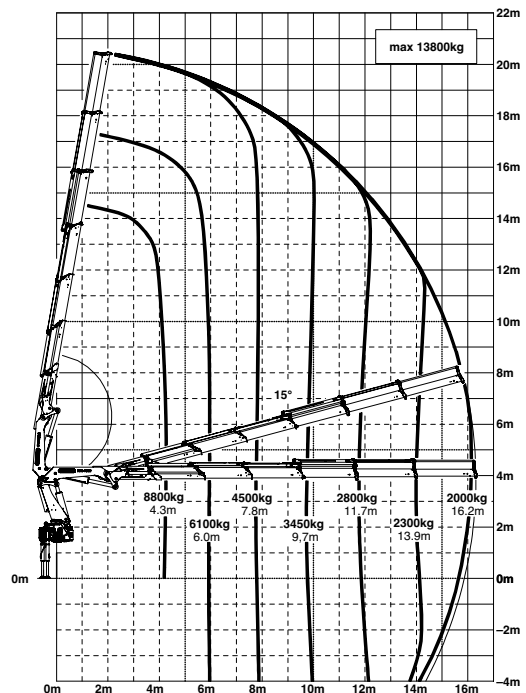
B



D



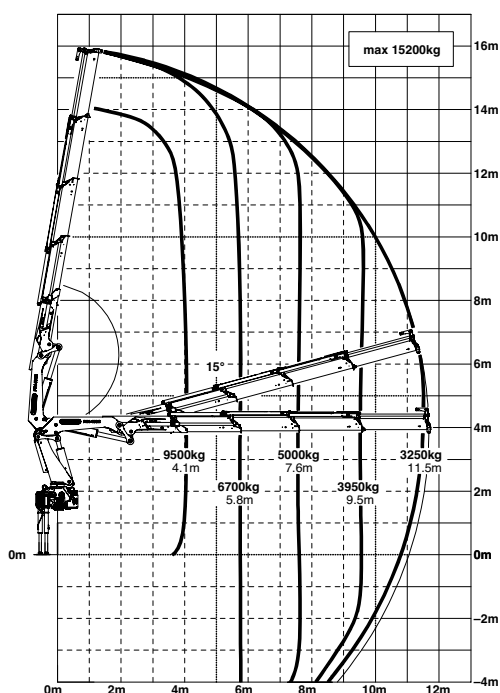
E



The outreaches stated are with a boom angle of 20° and are therefore not the maximum.

## Lifting capacities

**C**



<b>max.</b>		<b>15600 kg</b>	<b>153,0 kN</b>	<b>A</b>
4,0 m	13' 1"	10000 kg	22100 lbs	
5,7 m	18' 8"	7200 kg	15800 lbs	
7,5 m	24' 7"	5500 kg	12100 lbs	

<b>max.</b>		<b>15400 kg</b>	<b>151,1 kN</b>	<b>B</b>
4,1 m	13' 5"	9800 kg	21500 lbs	
5,7 m	18' 8"	6900 kg	15200 lbs	
7,5 m	24' 7"	5300 kg	11600 lbs	
9,5 m	31' 2"	4200 kg	9200 lbs	
11,6 m*	38' 1"	3300 kg	7300 lbs	
13,9 m*	45' 7"	2650 kg	5900 lbs	
16,2 m*	53' 2"	2200 kg	4800 lbs	

<b>max.</b>		<b>15200 kg</b>	<b>149,1 kN</b>	<b>C</b>
4,1 m	13' 5"	9500 kg	21000 lbs	
5,8 m	19' 0"	6700 kg	14700 lbs	
7,6 m	24' 11"	5000 kg	11100 lbs	
9,5 m	31' 2"	3950 kg	8700 lbs	
11,5 m	37' 9"	3250 kg	7200 lbs	
13,7 m*	44' 11"	2600 kg	5800 lbs	
16,1 m*	52' 10"	2150 kg	4700 lbs	
18,4 m*	60' 4"	1780 kg	3950 lbs	

<b>max.</b>		<b>14400 kg</b>	<b>141,3 kN</b>	<b>D</b>
4,2 m	13' 9"	9100 kg	20100 lbs	
5,9 m	19' 4"	6400 kg	14000 lbs	
7,7 m	25' 3"	4750 kg	10500 lbs	
9,6 m	31' 0"	3700 kg	8100 lbs	
11,6 m	38' 1"	3000 kg	6600 lbs	
13,8 m	45' 3"	2500 kg	5500 lbs	
16,2 m*	53' 2"	2050 kg	4500 lbs	
18,5 m*	60' 8"	1700 kg	3750 lbs	
20,8 m*	68' 3"	1440 kg	3150 lbs	

<b>max.</b>		<b>13800 kg</b>	<b>135,4 kN</b>	<b>E</b>
4,3 m	14' 1"	8800 kg	19300 lbs	
6,0 m	19' 8"	6100 kg	13500 lbs	
7,8 m	25' 7"	4500 kg	9900 lbs	
9,7 m	31' 10"	3450 kg	7700 lbs	
11,7 m	38' 5"	2800 kg	6100 lbs	
13,9 m	45' 7"	2300 kg	5100 lbs	
16,2 m	53' 2"	2000 kg	4350 lbs	
18,5 m*	60' 8"	1640 kg	3600 lbs	
20,8 m*	68' 3"	1250 kg	2750 lbs	
23,1 m*	75' 9"	900 kg	1980 lbs	

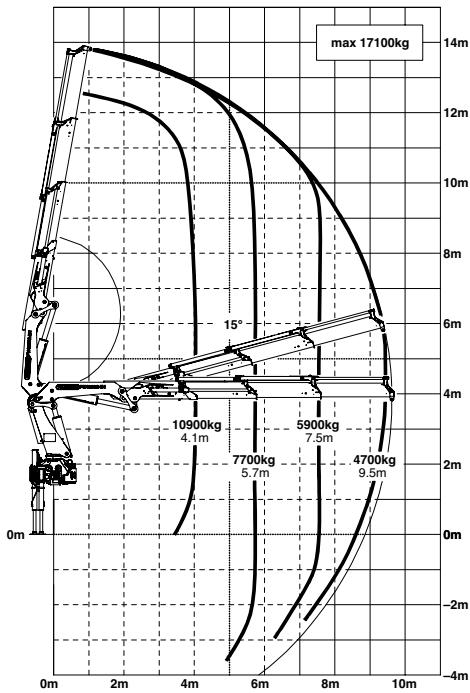
\*mechanical extension

PK 48002 EH

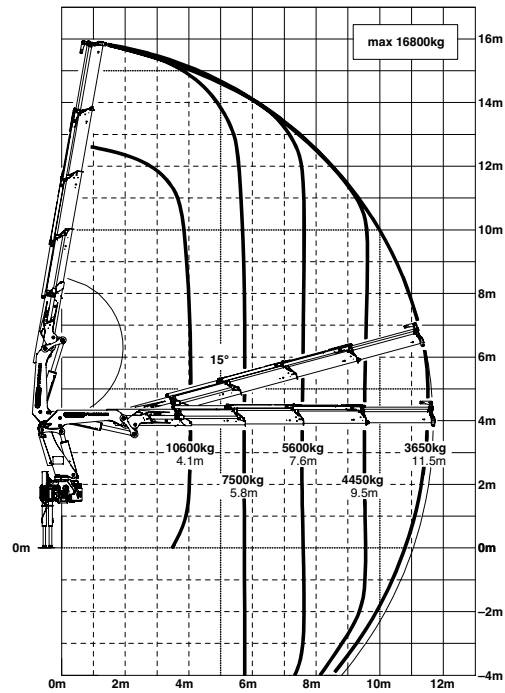
# HIGH PERFORMANCE

Maximum functionality and flexibility.

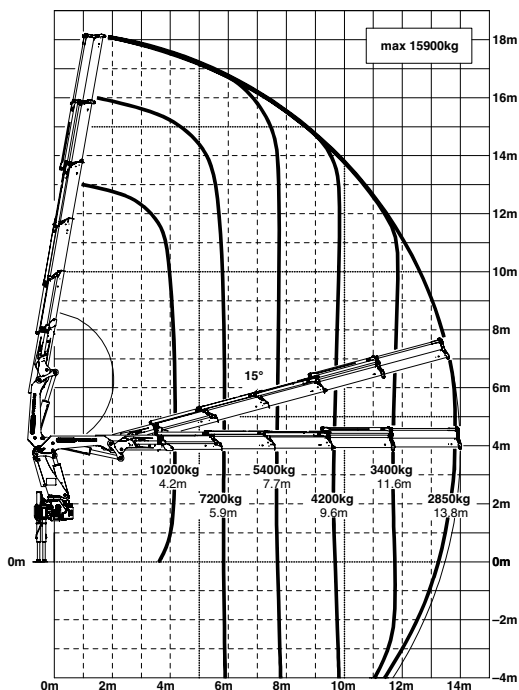
**B**



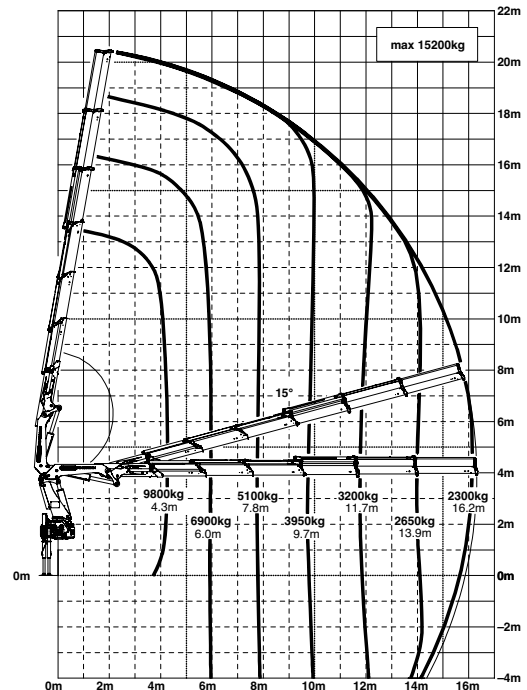
**C**



**D**



**E**

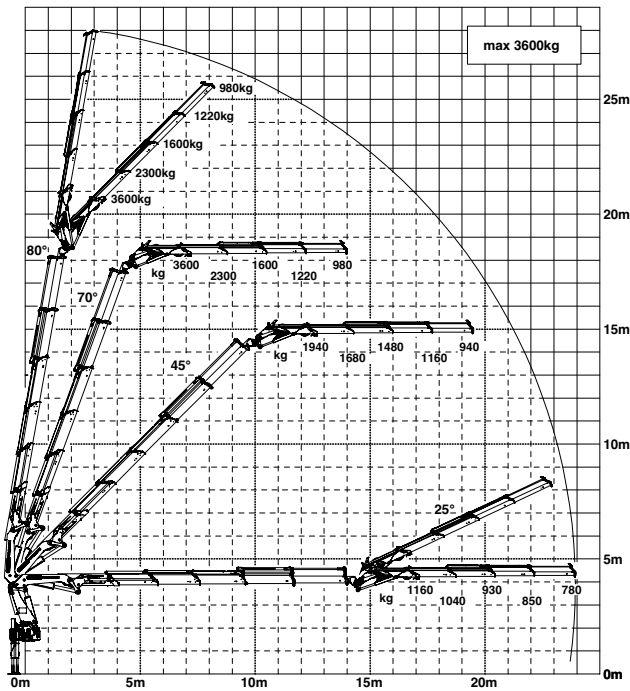


The outreaches stated are with a boom angle of 20° and are therefore not the maximum.



## Lifting capacities

### D PJ100C



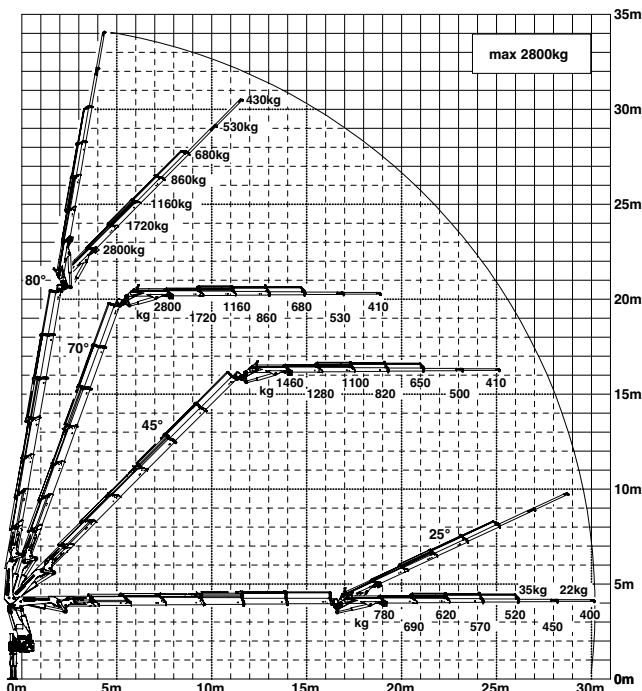
max.	17400 kg	170,7 kN	A
4,0 m	13' 1"	11100 kg	25400 lbs
5,7 m	18' 8"	8000 kg	17600 lbs
7,5 m	24' 7"	6100 kg	13500 lbs

max.	17100 kg	167,8 kN	B
4,1 m	13' 5"	10900 kg	23900 lbs
5,7 m	18' 8"	7700 kg	17000 lbs
7,5 m	24' 7"	5900 kg	12900 lbs
9,5 m	31' 2"	4700 kg	10300 lbs
11,6 m*	38' 1"	3700 kg	8200 lbs
13,9 m*	45' 7"	3000 kg	6600 lbs
16,2 m*	53' 2"	2400 kg	5300 lbs

max.	16800 kg	164,8 kN	C
4,1 m	13' 5"	10600 kg	23400 lbs
5,8 m	19' 0"	7500 kg	16500 lbs
7,6 m	24' 11"	5600 kg	12400 lbs
9,5 m	31' 2"	4450 kg	9800 lbs
11,5 m	37' 9"	3650 kg	8100 lbs
13,7 m*	44' 11"	3000 kg	6600 lbs
16,1 m*	52' 10"	2400 kg	5300 lbs
18,4 m*	60' 4"	1800 kg	4000 lbs

max.	15900 kg	156,0 kN	D
4,2 m	13' 9"	10200 kg	22400 lbs
5,9 m	19' 4"	7200 kg	15800 lbs
7,7 m	25' 3"	5400 kg	11800 lbs
9,6 m	31' 6"	4200 kg	9200 lbs
11,6 m	38' 1"	3400 kg	7500 lbs
13,8 m	45' 3"	2850 kg	6300 lbs
16,2 m*	53' 2"	2350 kg	5200 lbs
18,5 m*	60' 8"	1800 kg	4000 lbs
20,8 m*	68' 3"	1500 kg	3300 lbs

### E PJ080C JV2

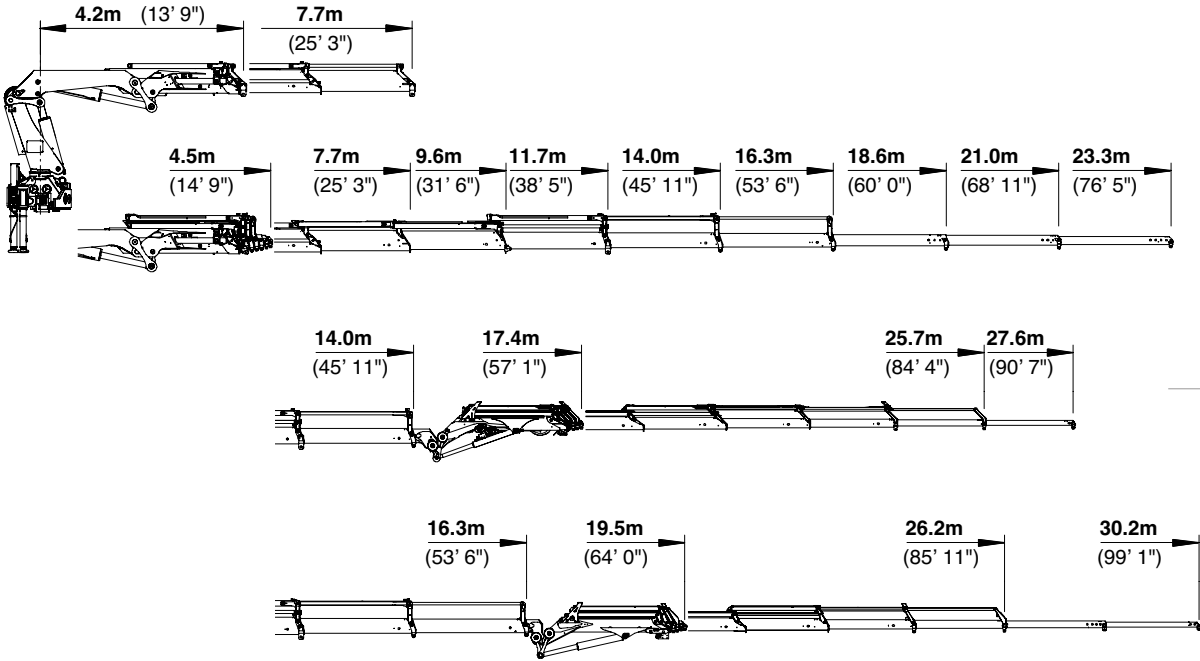


max.	15200 kg	149,1 kN	E
4,3 m	14' 1"	9800 kg	21600 lbs
6,0 m	19' 8"	6900 kg	15200 lbs
7,8 m	25' 7"	5100 kg	11300 lbs
9,7 m	31' 10"	3950 kg	8700 lbs
11,7 m	38' 5"	3200 kg	7100 lbs
13,9 m	45' 7"	2650 kg	5800 lbs
16,2 m	53' 2"	2300 kg	5000 lbs
18,5 m*	60' 8"	1800 kg	4400 lbs
20,8 m*	68' 3"	1250 kg	2750 lbs
23,1 m*	75' 9"	900 kg	1980 lbs

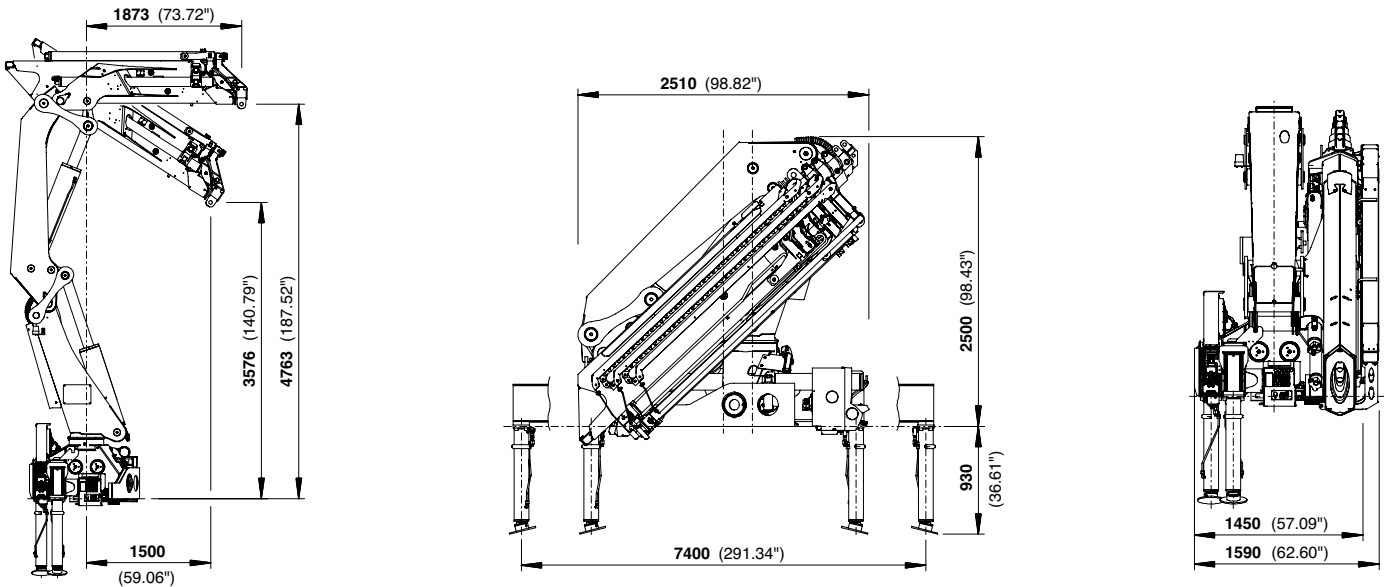
\*mechanical extension

# PERFECT DIMENSIONS

## EXTENSION BOOM VARIATIONS



## DIMENSIONS



## Technical specifications

EN 12999 HC1 HD4/B3

### PK 44502 / PK 48002 EH

<b>PK 44502</b>		
Max. lifting moment	41.9 mt/410.8 kNm	302970 ft.lbs
Max. lifting capacity	16600 kg/162.8 kN	36600 lbs
Max. hydraulic outreach	16.3 m	53' 6"
Max. manual outreach	23.3 m	76' 5"
Slewing angle	400°	
Slewing torque	5.5 mt/54.0 kNm	39790 ft.lbs
Stabiliser spread (std./max.)	7.4 m	24' 3"
Fitting space required (std.)	1.45 m/1.59 m	4' 9" / 5' 3"
Width folded	2.51 m	8' 3"
Max. operating pressure	320 bar	4640 psi
Recommended pump capacity	from 40 l/min to 60 l/min	15.9 US gal./min 21.1 US gal./min
Dead weight (std.)	4399 kg	9700 lbs

### PK 48002 EH D PJ100D JV1

<b>PK 48002 EH</b>		
Max. lifting moment	46.5 mt/456.3 kNm	336520 ft.lbs
Max. lifting capacity	18300 kg/179.5 kN	40340 lbs
Max. hydraulic outreach	16.3 m	53' 6"
Max. manual outreach	23.3 m	76' 5"
Slewing angle	400°	
Slewing torque	5.5 mt/54.0 kNm	39790 ft.lbs
Stabiliser spread (std./max.)	7.4 m	24' 3"
Fitting space required (std.)	1.45 m/1.59 m	4' 9" / 5' 3"
Width folded	2.51 m	8' 3"
Max. operating pressure	350 bar	5075 psi
Recommended pump capacity	from 80 l/min to 100 l/min	21.1 US gal./min 26.4 US gal./min
Dead weight (std.)	4420 kg	9740 lbs

### PK 48002 EH E PJ080C JV2

## Package model

- E-HPLS
- Paltronic 50
- Radio remote control with LED display
- Danfoss control valve or PVG2000
- 10,5 kW oil cooler
- 200 l oil tank



KP-H44/48002EM2+EN

Cranes shown in the leaflet are partially optional equipped and do not always correspond to the standard version. Country-specific regulations must be observed. Dimensions may vary. Subject to technical changes, errors and translation mistakes.