

PK 23002 SH

CONSTRUCTION SITES THAT ARE DIFFICULT TO ACCESS. THIS IS WHERE POWER LINK PLUS AND THE CONTINUOUS SLEWING SYSTEM REALLY DELIVER.

LIFETIME EXCELLENCE



LIFETIME EXCELLENCE

PALFINGER loader cranes are convincing due to their superior life-cycle performance. They are the most economical and also the most reliable over the entire product life. From solution finding to resale.

- **Better solutions**
- **Better efficiency**
- **Better ergonomics**
- **Higher availability**
- **More reliability**
- **Better ecology**
- **Higher serviceability**
- **Higher value retention**



POWERFUL FUNCTIONS AND TECHNOLOGY

- High value retention due to coating technology
- More comfort and safety due to Soft Stop
- Maximum utilisation of the working range due to HPSC
- More lifting power due to S-HPLS
- More efficient and faster due to continuous slewing





PERFECT TOOL WITH SOPHISTICATED KINEMATICS

12 Highlights



Continuous slewing system

Unrestricted movement

More efficient in operation due to faster loading cycles, since the crane can be slewed over a shorter distance. The crane works more efficiently and faster.



Power Link Plus

High variety of uses

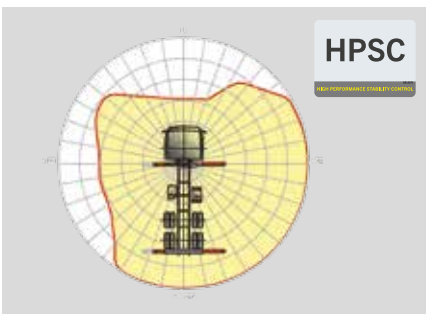
With the 15-degree reverse linkage system, you can reach through low door openings and also work inside buildings. Heavy crane work – even in difficult conditions.



Low-maintenance extension system

Reduces service time

With sliding elements made of synthetic material and the high-quality KTL coating, this boom system significantly simplifies service performed by the operator. This saves time and money – and protects the environment.



HPSC

Maximum utilisation of the working range

The variable stabiliser positioning of the High Performance Stability Control System makes it possible to utilise the lifting capacity to the maximum. It enables working within tight spaces.



S-HPLS

More lifting power when it is really needed

S-HPLS is one of the most important functions of the PALTRONIC 150. It is a fully automatic system for increasing the lifting power. Depending on the need, there is continuous adaptation of the lifting power and speed of the crane.



PALcom P7

Communication with the operator

The new PALcom P7 features a modern, ergonomic design. The centrally located knob „PALdrive“ and a large colour display enables easy and safe operation.



Power Link cable winch

More comfort in cable winch operation

Characterised by low installation height, it is ideal for working inside buildings and transports with the crane boom unfolded. The Comfort Cable Routing reduces set-up times to a minimum.



Functional design

Practical and attractive

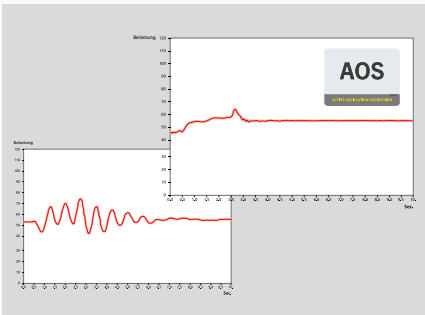
Robust plastic covers protect crane parts against dirt and damage. Better appearance and increased operational comfort – during the entire lifetime.



Coating technology

Top quality surface protection at a glance

The KTL coating lays the foundation for a perfect surface protection. Afterwards the components are either coated in the powder-coating facility or are finished with a two-components-topcoat. High value retention and excellent corrosion protection for the whole life of a crane.



AOS

Maximum precision and safety

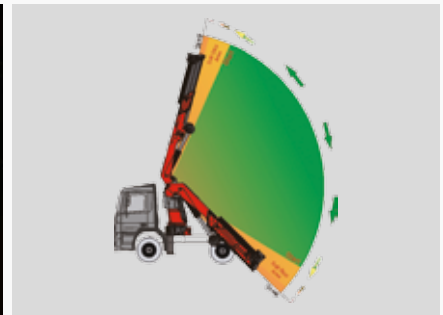
The active oscillation suppression system prevents „post-oscillation“ in the event of rapid braking or load changes. The stress peaks on the extension boom system are reduced and material fatigue and wear are minimised. This increases the resale value.



Lighting package

More crane safety particularly at dusk and dark

LEDs which backlight the control panel make it easier to read off the crane functions and provide the crane operator with a quick overview of the entire panel during the working process. LED warning lights in the supporting cylinders mean greater safety for crane operator and passers-by.



Soft Stop function

More comfort and safety

The Soft Stop function is an electronic limit position damper. It causes gentle braking of all crane movements before the limit position is reached. Hence, jerky movements and load impacts can be avoided. The crane can be operated more gently and precisely.



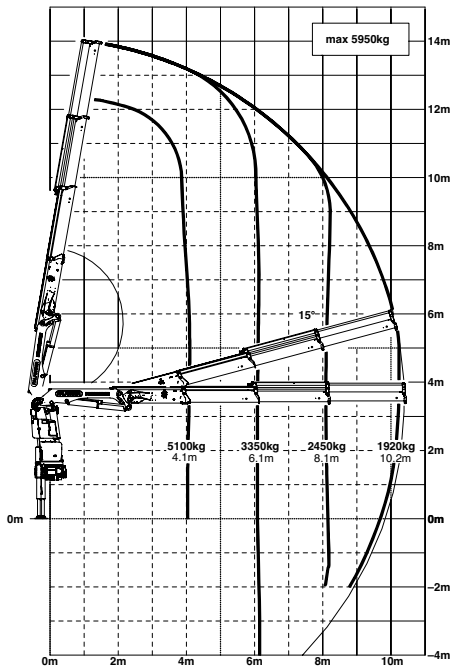
* Optional features / country-specific equipment

PK 23002 SH

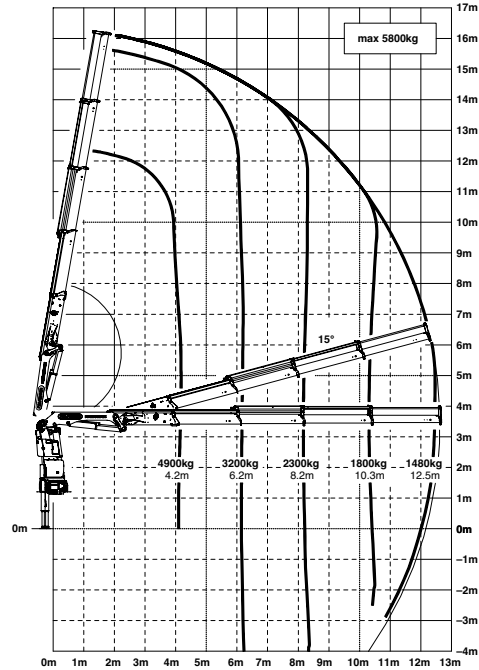
HIGH PERFORMANCE

More lifting power when it is really needed.

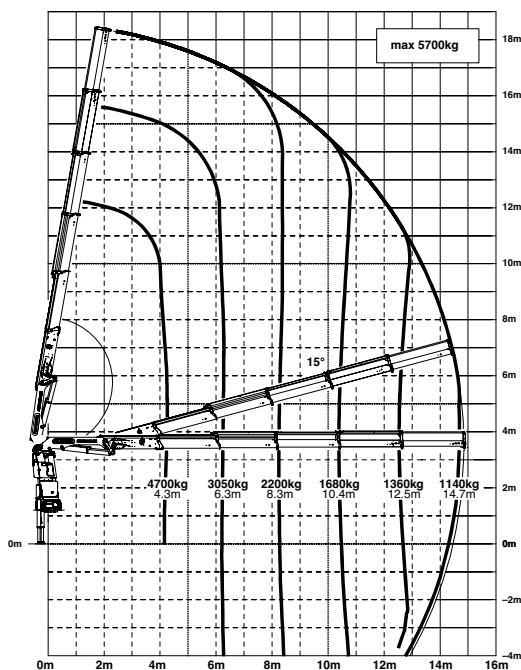
B



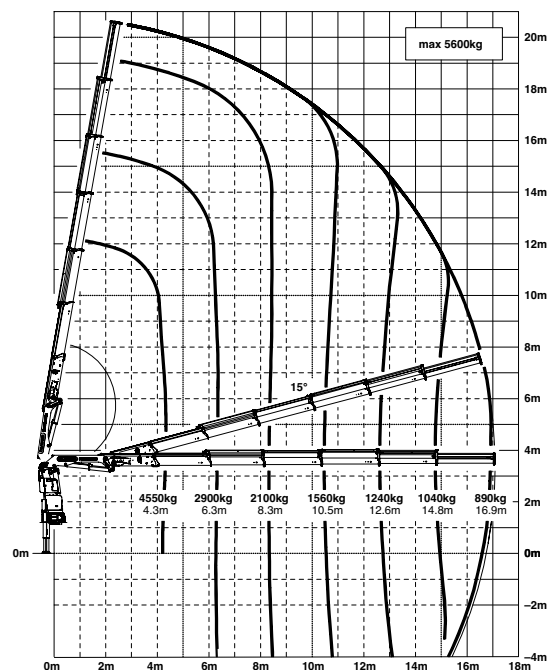
C



D



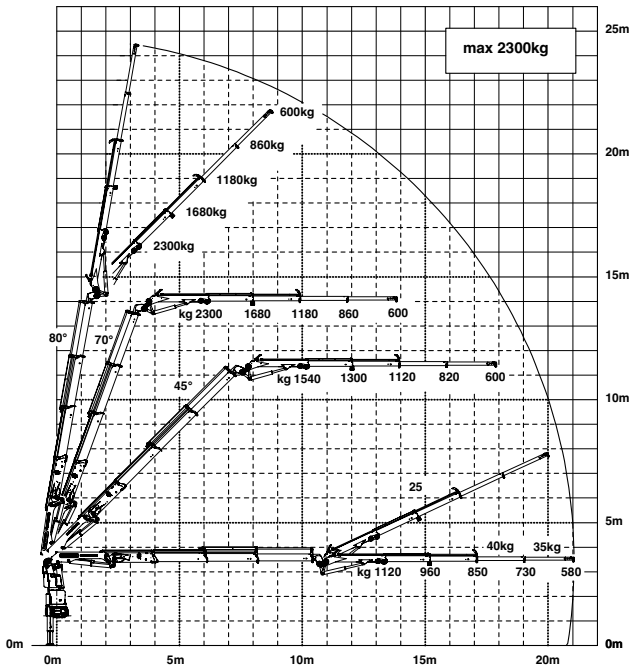
E



The outreaches stated are with a boom angle of 20° and are therefore not the maximum.

Lifting capacities

B PJ060A JV2



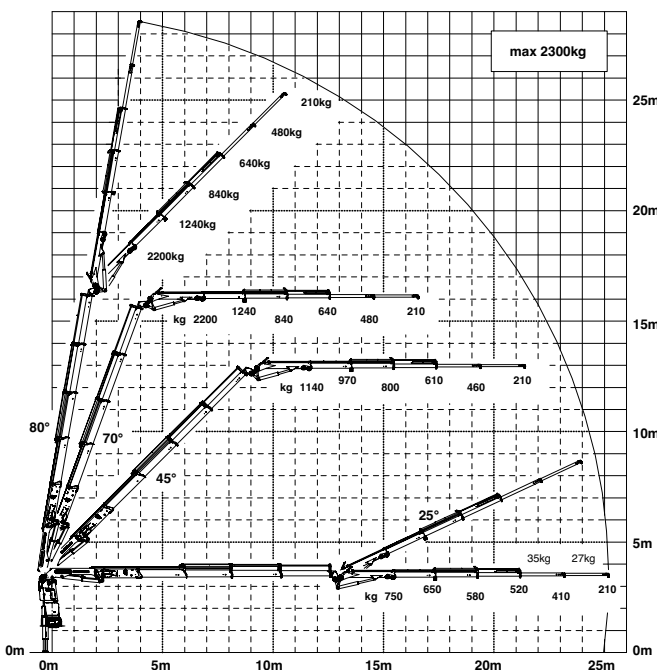
max.		6100 kg	13440 lbs	A
4.0 m	13' 1"	5300 kg	11700 lbs	
6.0 m	19' 8"	3500 kg	7700 lbs	
8.0 m	26' 3"	4000 kg	5800 lbs	

max.		5950 kg	13100 lbs	B
4.1 m	13' 5"	5100 kg	11200 lbs	
6.1 m	20' 0"	3350 kg	7300 lbs	
8.1 m	26' 7"	2450 kg	5400 lbs	
10.2 m	33' 6"	1920 kg	4250 lbs	
12.5 m*	41' 0"	1500 kg	3350 lbs	
14.7 m*	48' 3"	1240 kg	2700 lbs	

max.		5800 kg	12780 lbs	C
4.2 m	13' 9"	4900 kg	10800 lbs	
6.2 m	20' 4"	3200 kg	7000 lbs	
8.2 m	26' 11"	2300 kg	5100 lbs	
10.3 m	33' 10"	1800 kg	3950 lbs	
12.5 m	41' 0"	1480 kg	3250 lbs	
14.7 m*	48' 3"	1200 kg	2650 lbs	
16.8 m*	55' 1"	1000 kg	2200 lbs	

max.		5700 kg	12560 lbs	D
4.3 m	14' 1"	4700 kg	10400 lbs	
6.3 m	20' 8"	3050 kg	6700 lbs	
8.3 m	27' 3"	2200 kg	4850 lbs	
10.4 m	34' 1"	1680 kg	3700 lbs	
12.5 m	41' 0"	1360 kg	3000 lbs	
14.7 m	48' 3"	1140 kg	2500 lbs	
16.9 m*	55' 5"	950 kg	2100 lbs	
18.9 m*	62' 0"	620 kg	1380 lbs	

C PJ060B JV2

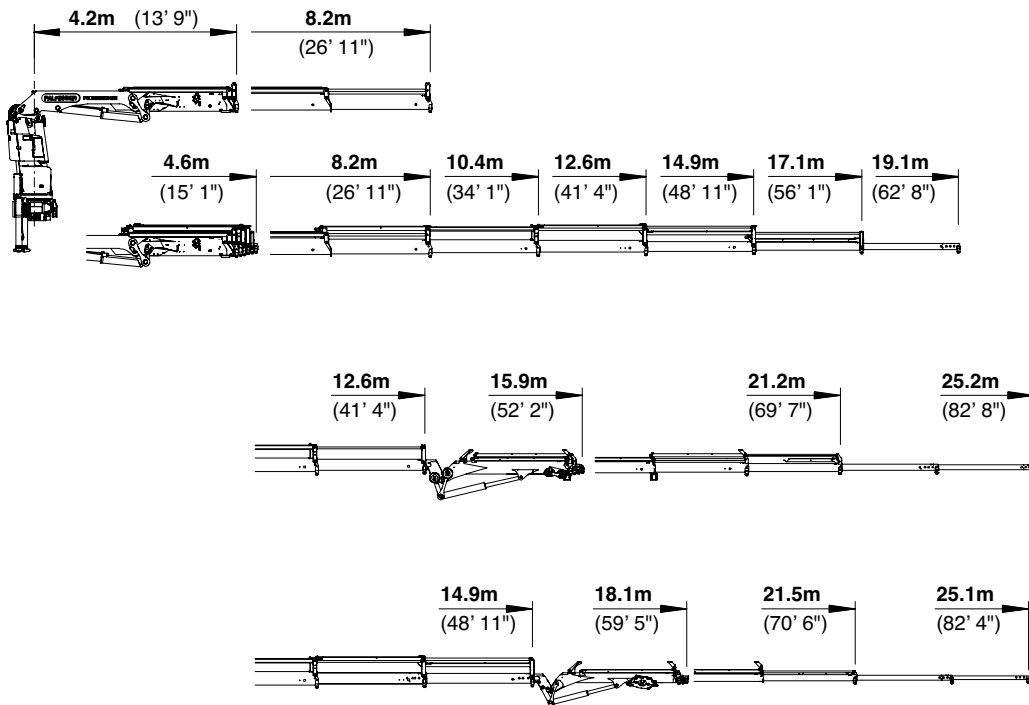


max.		5600 kg	12340 lbs	E
4.3 m	14' 1"	4550 kg	10000 lbs	
6.3 m	20' 8"	2900 kg	6400 lbs	
8.3 m	27' 3"	2100 kg	4550 lbs	
10.5 m	34' 5"	1560 kg	3450 lbs	
12.6 m	41' 4"	1240 kg	2750 lbs	
14.8 m	48' 7"	1040 kg	2300 lbs	
16.9 m	55' 5"	890 kg	1960 lbs	
18.9 m*	62' 0"	620 kg	1380 lbs	

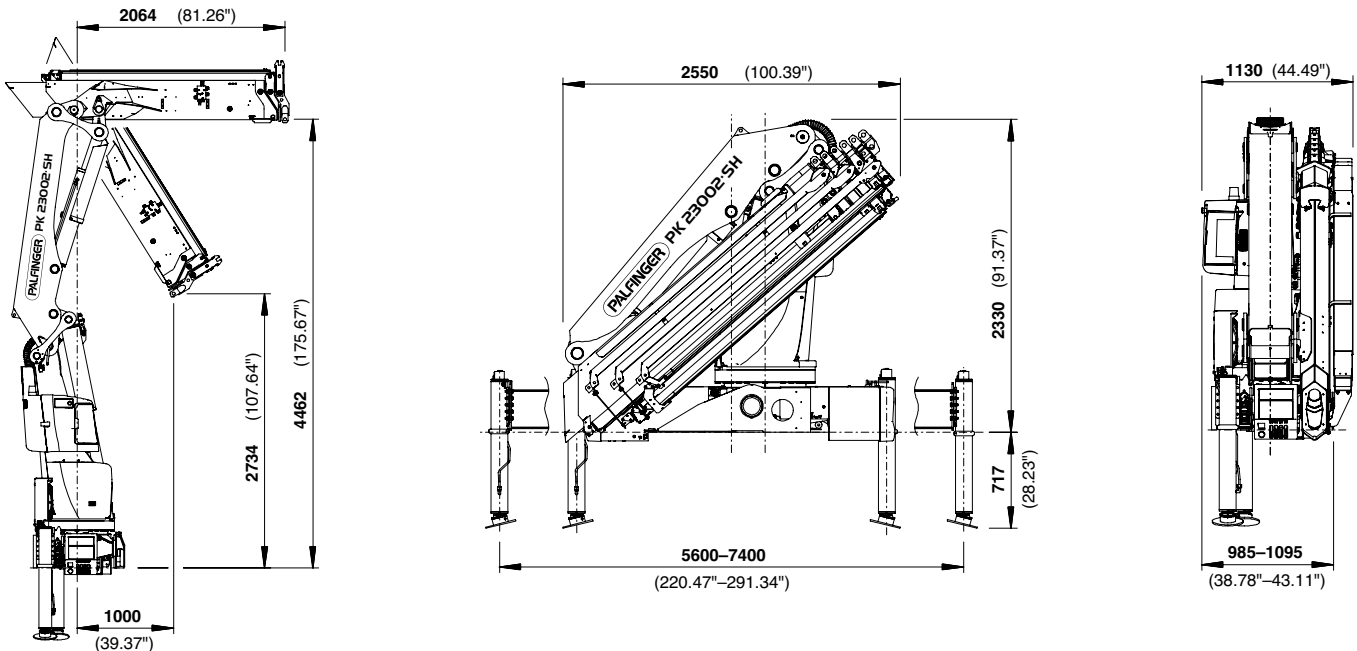
*mechanical extension

PERFECT DIMENSIONS

EXTENSION BOOM VARIATIONS



DIMENSIONS



Technical specifications

EN 12999 HC1 HD5/B3

PK 23002 SH

Max. lifting moment	21.9 mt/215.0 kNm	158560 ft.lbs
Max. lifting capacity	6200 kg/60.8 kN	13670 lbs
Max. hydraulic outreach	17.1 m	56' 1"
Max. manual outreach	19.1 m	62' 8"
Max. outreach (with fly-jib)	25.2 m	82' 8"
Slewing angle	endless	
Slewing torque	2.3 mt/22.6 kNm	16640 ft.lbs
Stabiliser spread	std. 5.6 m/18' 4"	max. 7.4 m/24' 3"
Fitting space required (std.)	0.99 m	3' 3"

C PJ060B JV2

Width folded	2.55 m	8' 4"
Max. operating pressure	365 bar	5293 psi
Recommended pump capacity	from 75 l/min to 100 l/min	19.8 US gal./min 26.4 US gal./min
Dead weight (std.)	2549 kg	5620 lbs

D PJ040A JV2



KP-HPK23002SM2+EN

Cranes shown in the leaflet are partially optional equipped and do not always correspond to the standard version. Country-specific regulations must be observed. Dimensions may vary. Subject to technical changes, errors and translation mistakes.